



CHECK NEW PRODUCTS SECTION FOR NEW INNOVATIVE SOLUTIONS

Table of Contents - Electromagnetic Locks

Overview G1

Electromagnetic Lock Reference ChartG2-G3

MagForce™ Lifetime WarrantyG4

MagForce+™ Series Electromagnetic LocksG5-G6

MagForce™ 390+ Series Electromagnetic LocksG7-G8

MagForce™ 350+ Series Electromagnetic LocksG9-G10

MagForce™ 320+ Series Electromagnetic LocksG11-G12

MagForce™ 101+ Delayed EgressG13-G14

MagForce™ 390DEL Delayed Egress LocksG15-G16

390PIR SensorLock™G17-G18

MagForce™ 40 and 70 Series Electromagnetic LocksG19-G20

320M Series MiniLine™ Electromagnetic LocksG21-G22

390G+ Series Electromagnetic Gate LockG23-G24

280+ Mortise Mounted Series Shear LocksG25-G26

GF3000 Mortise Mounted Series Shear LocksG27-G28

GF3000 Surface Mounted Series Shear LocksG29-G31

Filler Plates and Angle Brackets ChartG32

Notes

MagForce™

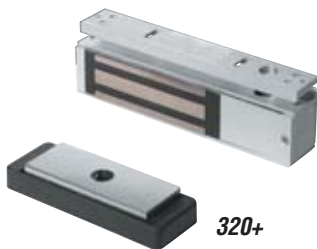
The Force in Electromagnetic Locks



MagForce – the Force in Electromagnetic Locking

Schlage Locknetics offers a broad selection of electromagnetic locks – with a solution for every application in every market.

Whether it's securing a hospital laboratory, monitoring a controlled area in an airport or providing traffic control for doors in a commercial or education building, the MagForce line provides breadth of application, depth of features and a proven record of performance, exceeding the standards set by the Builders Hardware Manufacturers Association (BHMA).



320+

High Security – If properties such as aesthetics, range of application, and powerful holding forces are required, the 390+, 350+ and 320+ lines are the solution. From the surface mounted 390+ to the Narrow Line 350+ to the 320+ line designed for interior doors, Schlage Locknetics designed these lines for easy application with adjustable mounting brackets. Sophisticated performance is the standard with FULLY Automatic Voltage Selection on every product.



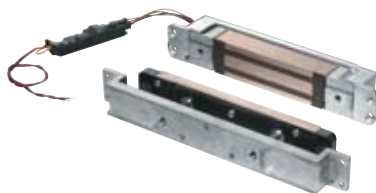
MagForce 101+

Intelligent – Does your application require delayed egress or iButton access/release? Then select the intelligent solution of Schlage Locknetics. The 390PIR, the 101+ and the 390DEL offer a broad range of options to accomplish many access control configurations.



MagForce™ 40 Series

Full Feature – The 40 and 70 Series electromagnetic locks offer simplified templating, sophisticated Magnetic Bond Sensor (MBS) and Door Status Monitor (DSM) as standard features in addition to the fully Automatic Voltage Selection. With holding forces at 600 lbs for the 40 Series and 1200 lbs for the 70 Series, retrofit applications are cost effective and easy to accomplish. A double MagLock is available in the 72 Series.








GF3000

Special Application – Harsh exterior applications, the need for mortised versions, smaller locking mechanisms and higher holding force requirements are no problem for Schlage Locknetics. The 390G+ Gate Lock, 320M MiniLine, the 280+ and GF3000 Shear Locks provide the range of applications to meet special needs and peculiar installations.

Electromagnetic Lock Reference Chart

MagForce™
LIFETIME WARRANTY

MODEL	FULL FEATURED SERIES		HIGH SECURITY SERIES			Automatic Voltage Selection (AVS) (The magnet detects 12/24 Volts)
	 40 MAGFORCE™ FULL FEATURED MAGLOCK	 70 MAGFORCE™ FULL FEATURED MAGLOCK	 320+ MAGFORCE™ TRAFFIC CONTROL SERIES	 350+ MAGFORCE™ NARROWLINE SERIES	 390+ MAGFORCE™ HIGH SECURITY SERIES	
HOLDING FORCE (LBS)	600	1200	700	1200	1650	
INPUT VOLTAGE (STD)	12/24 VDC	12/24 VDC	12/24 VDC	12/24 VDC	12/24 VDC	
CURRENT DRAW (AMPS)	.32A @ 12VDC .15A @ 24VDC	.25A @ 12VDC .12A @ 24VDC	.75A @ 12VDC .38A @ 24VDC	.75A @ 12VDC .38A @ 24VDC	.6A @ 12VDC .3A @ 24VDC	
OPTION						
MBS MAGNETIC BOND SNSR.	STANDARD	STANDARD	✓	✓	✓	
DSM DOOR STATUS MONITORING	STANDARD	STANDARD	✓	✓	✓	
RTD RELOCKING TIME DELAY	—	—	✓	✓	✓	
HDB HERCULITE DOOR BRCKT.	✓	✓	✓	✓	✓	
UHB UNIVERSAL HDR. BRCKT.	✓	✓	—	—	—	
HEB HEADER EXT. BRCKT.	✓	✓	—	—	—	
CWB CONCRETE/ WOOD BRCKT.	✓	✓	—	—	—	
ASB ALUMINUM SPCR BRCKT.	✓	✓	—	—	—	
ATS ANTI-TAMPER SWITCH	—	—	✓	✓	✓	
L1 LED INDICATOR	—	—	✓	✓	✓	
TJ TOP JAMBS	✓	✓	✓	✓	✓	
SEC SEC. ALARM	—	—	—	—	—	
BOCA BOCA CODE FEATURE	—	—	—	—	—	
CLH CUSTOM LENGTH HSNG.	—	—	✓	✓	✓	
FILLER PLATES	✓	✓	✓	✓	✓	
ANGLE BRCKT.	—	—	✓	✓	✓	
SPEC. FINISH	DRESS CVR.	DRESS CVR.	✓	✓	✓	

Electromagnetic Lock Reference Chart

MagForce™
LIFETIME WARRANTY

MODEL	INTELLIGENT LOCKS			SPECIAL APPLICATION LOCKS			
	 101+ MAGFORCE™ DELAYED EGRESS SERIES	 390DEL MAGFORCE™ DELAYED EGRESS	 390PIR MAGFORCE™ SENSORLOCK	 280+ SHEAR LOCK SERIES	 320M MINILINE MAGNETIC LOCK	 390G+ GATE LOCK	 GF3000 SHEAR LOCK
FEATURES							
HOLDING FORCE (LBS)	1500	1500	1650	2700	500 @ 12V 650 @ 24V	1500	3000
INPUT VOLTAGE (STD)	12V/24V AC/DC	12V/24V AC/DC	12V/24V AC/DC	12/24 VDC	12/24 VDC	12/24 VDC	12/24 VDC
CURRENT DRAW (AMPS)	.5A @ 24VDC .8A @ 12VDC	.8A @ 12VDC .5A @ 24VDC	.8A @ 12VDC .5A @ 24VDC	.9A @ 12VDC .45A @ 24VDC	.23A @ 12VDC .45A @ 24VDC	.67A @ 12VDC .35A @ 24VDC	.9A @ 12VDC .45A @ 24VDC
OPTION							
MBS MAGNETIC BOND SNR.	✓	✓	✓	✓	✓	✓	✓
DSM DOOR STATUS MONITORING	✓	✓	✓	—	✓	✓	✓
RTD RELOCKING TIME DELAY	STANDARD	STANDARD	STANDARD	STANDARD	✓	—	STANDARD
HDB HERCULITE DOOR BRCKT.	✓	✓	✓	—	—	—	—
UHB UNIVERSAL HDR. BRCKT.	—	—	—	—	—	—	—
HEB HEADER EXT. BRCKT.	—	—	—	—	—	—	—
CWB CONCRETE/ WOOD BRCKT.	—	—	—	—	—	—	—
ASB ALUMINUM SPCR BRCKT.	—	—	—	—	—	—	—
ATS ANTI-TAMPER SWITCH	✓	✓	STANDARD	—	—	—	—
L1 LED INDICATOR	STANDARD	STANDARD	STANDARD	—	—	—	—
TJ TOP JAMBS	—	—	—	—	—	—	—
SEC SEC. ALARM	✓	✓	—	—	—	—	—
BOCA BOCA CODE FEATURE	✓	✓	—	—	—	—	—
CLH CUSTOM LENGTH HSNG.	—	—	—	—	—	—	—
FILLER PLATES	✓	✓	✓	—	—	✓	—
ANGLE BRCKT.	✓	✓	✓	—	—	✓	—
SPEC. FINISH	✓	✓	✓	—	—	—	✓

MagForce™ Lifetime Warranty

Limited Lifetime Warranty:

Magnetic Coil Assembly. Locknetics warrants only to the End User of electromagnetic locks that the magnetic coil assembly of the electromagnetic locks will be free from defects in material and workmanship for the lifetime of such electromagnetic lock.

Limited 12 Month or 18 Month Warranty:

Electronic Module. Locknetics warrants only to the End User of electromagnetic locks that the electronic module of the electromagnetic locks will be free from defects in material and workmanship for a period of 12 months from the date of shipment of the electromagnetic locks from an authorized seller to the End User or a period of 18 months from the date of shipment of such electromagnetic locks from Locknetics to an authorized seller, whichever period is shorter.

Limitations:

Schlage Locknetics' sole obligation under this warranty is limited to repairing and replacing, at its option, the defective electromagnetic locks. If Locknetics chooses to replace a defective electromagnetic lock as provided herein, Locknetics may replace the defective electromagnetic lock with an equal or upgraded electromagnetic lock, at its option.

NO OTHER WARRANTIES, EXPRESS OR IMPLIED, ARE MADE WITH RESPECT TO THE ELECTROMAGNETIC LOCKS INCLUDING, BUT NOT LIMITED TO, ANY IMPLIED WARRANTY OF MERCHANTABILITY OR FITNESS FOR A PARTICULAR PURPOSE. LOCKNETICS DOES NOT AUTHORIZE ANY PERSON TO CREATE FOR IT ANY OBLIGATION OR LIABILITY IN CONNECTION WITH ELECTROMAGNETIC LOCKS.

This warranty is exclusive and limited to the End User of the electromagnetic locks, and terminates upon the sale or transfer of the electromagnetic locks or the structure for which the electromagnetic locks are attached.

"End User" is defined in this limited warranty as the initial user of the products.

Exclusions to Warranty:

The provisions of this limited warranty do not apply to electromagnetic locks: (i) used for purposes for which they are not designed or intended; (ii) which have been repaired or altered without Locknetics' prior written consent; (iii) which have been subjected to misuse, abuse, negligence, or accident; (iv) which have been improperly stored, installed, maintained, or operated; (v) which have been used in violation of written instructions provided by Locknetics to an authorized seller and/or End User; (vi) which have been subjected to improper temperature, humidity, or other environmental conditions; (vii) which have been affected by normal wear and tear; or (viii) which, based on Locknetics' or authorized seller's examination, do not disclose to Locknetics' or an authorized seller's satisfaction nonconformance to the warranty.

The following costs and expenses are not covered by the provisions of this limited warranty: (i) labor costs for the removal and reinstallation of electromagnetic locks; (ii) shipping and freight expenses required to return electromagnetic locks to Locknetics or an authorized seller; (iii) normal maintenance; and (iv) economic losses.

THE PROVISIONS OF THIS LIMITED WARRANTY ARE NOT APPLICABLE TO ANYTHING OTHER THAN DEFECTS IN LOCKNETICS' MATERIAL OR WORKMANSHIP.

End User's Remedies:

END USER'S EXCLUSIVE AND SOLE REMEDY ON ACCOUNT OF, OR IN RESPECT OF, THE FURNISHING OF ELECTROMAGNETIC LOCKS THAT DO NOT CONFORM TO THIS AGREEMENT WILL BE TO SECURE REPAIR OR REPLACEMENT OF THE ELECTROMAGNETIC LOCKS, AT LOCKNETICS' OPTION. IN NO EVENT WILL LOCKNETICS' MAXIMUM LIABILITY EXCEED THE SELLING PRICE FOR THE NON-CONFORMING ELECTROMAGNETIC LOCKS.

Limitation of Liability:

IN NO EVENT WILL SCHLAGE LOCKNETICS BE LIABLE FOR INCIDENTAL, CONSEQUENTIAL, INDIRECT, SPECIAL, OR PUNITIVE DAMAGES INCLUDING, BUT NOT LIMITED TO, LOSS OF USE OF THE ELECTROMAGNETIC LOCKS, LOSS OF PROFIT, LOSS OF REVENUE, INTEREST, LOST GOODWILL, WORK STOPPAGE, IMPAIRMENT OF OTHER GOODS, LOSS BY REASON OF SHUTDOWN OR NON-OPERATION, INCREASED EXPENSES OR OPERATION, OR CLAIMS OF END USERS, WHETHER BASED ON CONTRACT, WARRANTY, TORT (INCLUDING, BUT NOT LIMITED TO, STRICT LIABILITY OR NEGLIGENCE), PATENT INFRINGEMENT, OR OTHERWISE, EVEN IF ADVISED OF THE POSSIBILITY OF SUCH DAMAGES.

Statute of Limitations:

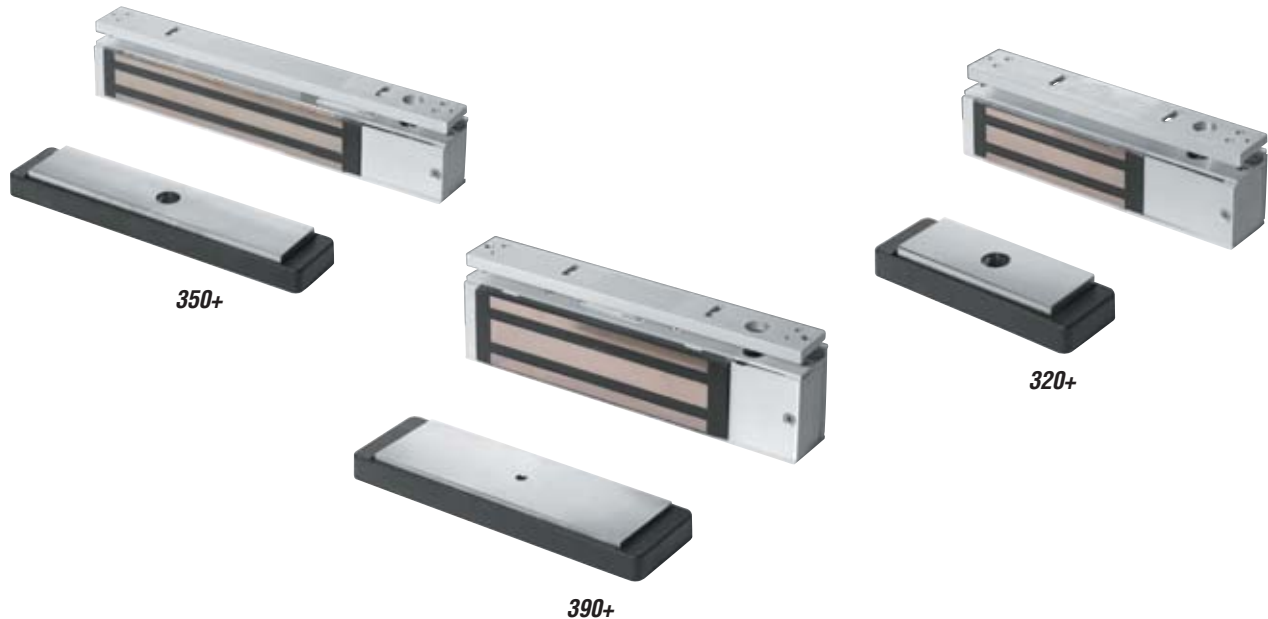
NO ACTION ARISING OUT OF ANY CLAIMED BREACH OF THIS AGREEMENT BY LOCKNETICS MAY BE BROUGHT BY END USER MORE THAN ONE (1) YEAR AFTER THE CAUSE OF ACTION HAS ARISEN.

Consumer Products:

With respect to "customer products" as defined under the Magnuson-Moss Warranty Act ("MMWA"), the following statements are made. (a) Some states do not allow the exclusion of limitation of incidental or consequential damages, so the above limitation or exclusion may not apply to the End User. (b) This warranty gives the End User specific legal rights and the End User may also have other rights which vary from state to state.

MagForce™+ Series Electromagnetic Locks

The High Security Solution

MagForce™
LIFETIME WARRANTY

Schlage Locknetics MagForce+ generation of electromagnetic locks is the evolution of the industry leading High Security Series. The MagForce+ family consists of the 390+ with 1650 lbs of holding force, the 350+ with 1200 lbs of holding force, and the 320+ with 700 lbs of holding force. Common features, installation, appearance, and options mean that the MagForce+

Series should be your first choice. The MagForce+ line is simply designed; if you know one magnet in the family, you know them all. So, for high security, narrowline, or traffic control applications throughout your facility, MagForce+ is the positive force with universal appeal.

Benefits of Using MagForce+ Series

- Quieter operation and higher reliability with an attractive armature housing
- Multiple application solutions with 390+, 350+, 320+ magnets (1650 lb, 1200 lb, and 700 lb respectively)
- Quick and easy installation with consistent style, adjustable mounting brackets, and automatic voltage selection
- Universal appearance with slide-in architectural finish plates
- Simplified line with modular circuit boards

MagForce+™ Series Electromagnetic Locks

The High Security Solution

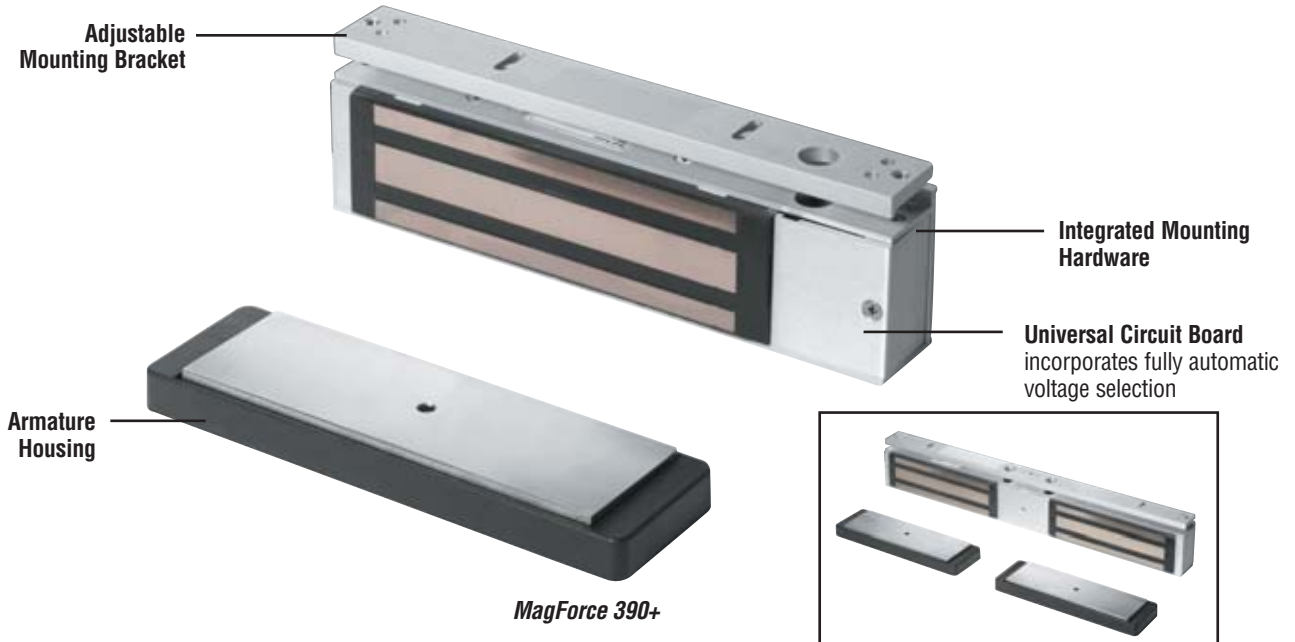
Features

	390+	350+	320+
<ul style="list-style-type: none"> Automatic Voltage Selection (AVS) Simply connect to power. The magnet detects 12 or 24 Volts. Aesthetically Matching Products Provide the MagForce™ Plus product family with a consistent look, meaning that architects and end users can have premium aesthetics throughout buildings and facilities. Armature Housing Holds the armature in place, eliminating the noise and sagging that is possible with other armatures while offering quieter operation and increased reliability. The armature housing also provides an aesthetically pleasing look. Finally, the armature housing holds the magnets for the DSM option without having to mount an additional plate to the armature, ensuring quicker, more reliable installation. Consistent Mounting Bracket Style Means every product in the family mounts the same way, even with top jamb (inswinging) applications, ensuring quicker, more reliable installation, fewer installation problems, and greater end user satisfaction. Modular, Simplified Circuit Boards For AVS, DSM/MBS, ATS and L1 provide consistent wiring throughout the line and simplified product selection. 	Yes	Yes	Yes
<ul style="list-style-type: none"> Anti-tamper Switch (ATS) Provides an indication that the cover of the magnet is securely fastened to the lock and that the on board circuitry is secure. 	Yes	Yes	Yes
<ul style="list-style-type: none"> Custom Length Housings (CLH) and Variable Length Housings (VLH) Are available to cover the entire width or height of a door to provide a clean architectural look and provide additional protection from vandalism. 	Yes	Yes	Yes
<ul style="list-style-type: none"> MBS Monitoring (L1) Magnetic Bond Sensor can be monitored remotely and the L1 provides LED for visual assurance locally. 	Yes	Yes	Yes
<ul style="list-style-type: none"> Door Status Monitor and Magnetic Bond Sensor (DSM/MBS) Indicates that the door is open or closed and that proper bond exists between the magnet and the armature and that the door is secure. This can be monitored remotely to provide assurance that the door is closed and in position to be properly latched. 	Yes	Yes	Yes
<ul style="list-style-type: none"> Herculite Door Bracket (HDB) Attaches to the top of either a 1/2" or 3/4" Herculite (glass) door to allow mounting of the armature without having to drill through the door, easing installation time, reducing frustration, and lowering overall cost. 	Yes	Yes	Yes
<ul style="list-style-type: none"> Top Jamb Mounting Bracket with No Exposed Screws Provides a "cleaner" architectural look and eliminates vulnerability created by exposed mounting hardware, thereby increasing safety and reliability. The top jamb bracket has slide-in architectural finish plates to match the building's architectural finishes. 	Yes	Yes	Yes
<ul style="list-style-type: none"> Relocking Time Delay (RTD) Controls the relock time of the locking device from 1-30 seconds, ensuring that each opening can be managed to allow flexibility with population of people using opening. 	Yes	Yes	Yes

MagForce™ 390+ Series Electromagnetic Lock

The High Security Solution

MagForce™
LIFETIME WARRANTY



Now with Fully Automatic Voltage Selection

The 390+ surface mounted electromagnetic lock is ideal for high security applications. This lock exceeds ANSI/BHMA A156.23 Grade 1 standards with 1650 pounds of direct holding force and is UL listed as an auxiliary lock for a 3 hour fire rated opening and for burglary resistance.

The 390+ is available for single, inswinging or outswinging, hollow metal, aluminum, and wood doors and frames as well as glass doors. The 392+ is available for pairs of hollow metal, aluminum, and wood doors and frames as well as glass doors

without a mullion. The 391+ with split armature is used with pairs of hollow metal, aluminum, and wood doors and frames without a mullion.

All models are ideal for open architecture and easily interface with electronic access control systems, automatic door operators, and fire or other hazard sensing systems for egress and emergency egress.

Benefits of Using MagForce™ 390+

- Fully Automatic Voltage Selection simplifies installation
- Modular design employs a standardized circuit board with easy to install connectors, adjustable mounting brackets, integrated mounting screws, and slide-in architectural finish plates
- The uniquely designed armature housing holds the armature in place, eliminating the noise and sagging possible with other armatures
- The armature housing increases the overall reliability of the product and provides an aesthetically pleasing look over traditional armature mountings, blending into the surrounding environment more easily
- The armature housing holds the magnets for the DSM option without having to mount an additional plate to the armature, ensuring quicker, more reliable installation

**1650 lbs.
Holding Force**



CSFM
MEA



MagForce™ 390+ Series Electromagnetic Lock

The High Security Solution

How To Order MagForce 390+

390+ – RTD – TJ90 – 628

Select Model			
Select Options/Accessories			
Select Finish			

1. Select Model

390+	High Security – Single Lock
391+	High Security with Split Armature
392+	High Security – Double Unit
390+ DSM/MBS	Single Lock with Door Status Monitor/ Magnetic Bond Sensor
392+ DSM2/MBS2	Double Lock with Door Status Monitor/ Magnetic Bond Sensor

2. Select Options/Accessories

RTD/RTD2	Relocking Time Delay	
ATS/ATS2	Anti-tamper Switch	
HDB*	Herculite Door Bracket	
	Single	HDB890
	Double	HDB892
L1/L2**	LED indicator	
TJ**	Top Jamb for inswing door	
	Single	TJ90
	Double	TJ92
	Split	TJ91
CLH	Custom Length Housing (Factory cut)	
	Horizontal Single	CLH90-3
	Horizontal Double	CLH92-4
	Vertical Single	CLH90-5
	Vertical Double	CLH92-6
VLH	Variable Length Housing (Field Cut)	
	Horizontal Single	VLH90-3
	Horizontal Double	VLH92-4
	Vertical Single	VLH90-5
	Vertical Double	VLH92-6
Filler Plates	see chart, pg F32	
Angle Brackets	see chart, pg F32	

* HDB/DSM/MBS option not available for 391+ model
 ** L1/L2 option only available on DSM/MBS models, not available for TJ applications

3. Select Finish

628	US28	Satin Aluminum, Anodized (<i>standard</i>)
335	US19	Satin Black, Anodized
612B	US10	Satin Bronze
612SF	US10	Satin Bronze-SF
613SF	US10B	Dark Satin Bronze, Anodized
628B	US28	Satin Aluminum, w/ Black
666B	US3	Bright Brass
666SF	US3	Bright Brass-SF
672B	US26	Bright Chrome
672SF	US26	Bright Chrome-SF

Armature housing finish standard Lexan black
B suffix – Satin black anodized 335/US19 housing with choice of select special finish for slide plates only
SF suffix – Special finish for all metal surfaces

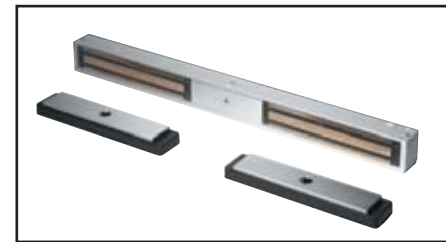
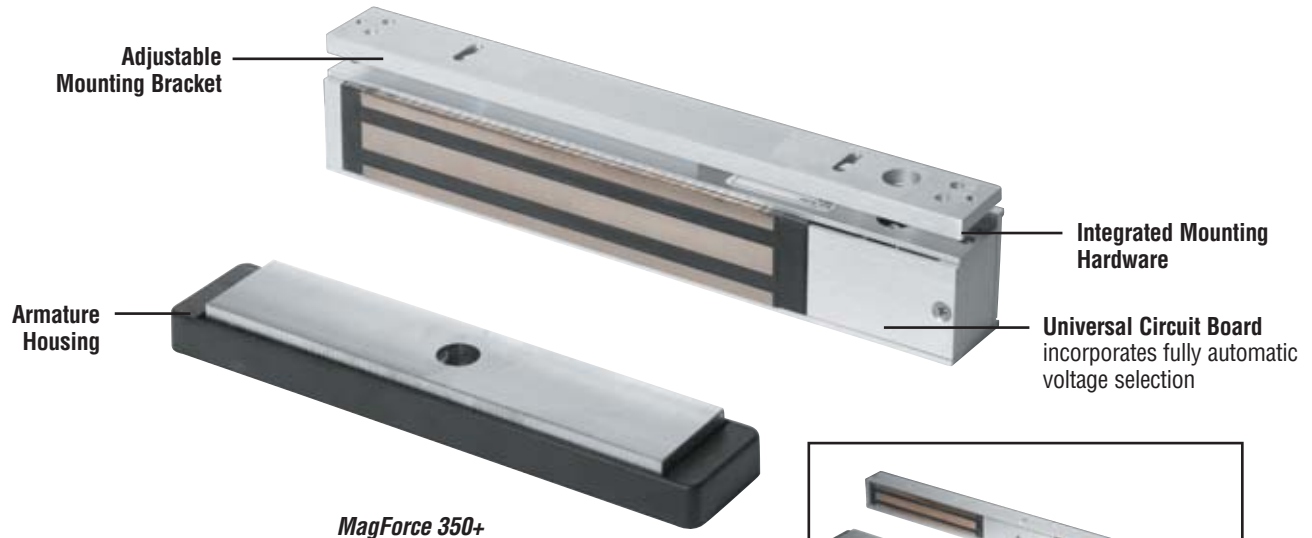
Specifications:

390+	Holding Force: 1650 lbs.
	Input Voltage: 12/24 VDC
	Current Draw: .60A@12VDC .30A@24VDC
	Height: 2 ³ / ₄ "
	Length: 10 ¹ / ₂ "
	Width: 1 ¹¹ / ₁₆ "
	Weight: 10.60 lbs
391+	Holding Force: 750 lbs. per door leaf
	Input Voltage: 12/24 VDC
	Current Draw: .60A@12VDC .30A@24VDC
	Height: 2 ³ / ₄ "
	Length: 10 ¹ / ₂ "
	Width: 1 ¹¹ / ₁₆ "
	Weight: 10.60 lbs
392+	Holding Force: 1650 lbs. per door leaf
	Input Voltage: 12/24 VDC
	Current Draw: 1.2A@12VDC .60A@24VDC
	Height: 2 ³ / ₄ "
	Length: 20 ⁵ / ₈ "
	Width: 1 ¹¹ / ₁₆ "
	Weight: 20.70 lbs

MagForce™ 350+ Series Electromagnetic Locks

The High Security Narrowline Solution

MagForce™
LIFETIME WARRANTY



Now with Fully Automatic Voltage Selection

The 350+ Narrowline surface mounted electromagnetic lock is designed for doors requiring a high level of security. The 350+ is available for single, inswinging or outswinging, hollow metal, aluminum, and wood doors and frames and glass doors. The 352+ is available for pairs of hollow metal, aluminum, and wood doors and frames and glass doors without a mullion. The 351+ with split armature is used with pairs of hollow metal, aluminum, and wood doors and frames without a mullion. All models

easily interface with electronic access control systems, automatic door operators and fire or other hazard sensing systems for egress and emergency egress. Exceeds ANSI/BHMA A156.23 Grade 2 standards with 1200 pounds of direct holding force and is UL listed as an auxiliary lock for a 3 hour fire rated opening.

Benefits of Using MagForce 350+ Series

- Modular design employs a standardized circuit board with easy to install connectors, adjustable mounting brackets, integrated mounting screws, and slide-in architectural finish plates
- The 350+ design features a narrow 2-1/8" projection from the frame header
- The armature housing holds the armature in place, eliminating the noise and sagging known with armatures, and increases the overall reliability of the product
- The armature housing also provides an aesthetically pleasing look over traditional armature mountings, blending into the surrounding environment more easily
- The armature housing holds the magnets for the DSM option without having to mount an additional plate to the armature, ensuring quicker, more reliable installations

**1200 lbs.
Holding Force**



CSFM
MEA



MagForce™ 350+ Series Electromagnetic Locks

The High Security Narrowline Solution

How To Order MagForce 350+

350+ – RTD – TJ50 – 628

Select Model			
Select Options/Accessories			
Select Finish			

1. Select Model

- 350+** Narrowline – Single lock
- 351+** Narrowline with Split Armature
- 352+** Narrowline – Double Lock
- 350+ DSM/MBS** Single Lock with Door Status Monitor/
Magnetic Bond Sensor
- 352+ DSM2/MBS2** Double Lock with Door Status Monitor/
Magnetic Bond Sensor

2. Select Options/Accessories

- RTD/RTD2** Relocking Time Delay
- ATS/ATS2** Anti-tamper Switch
- HDB*** Herculite Door Bracket
 - Single HDB50
 - Double HDB52
- L1/L2**** LED indicator
- TJ** Top Jamb for inswing door
 - Single TJ50
 - Double TJ52
 - Split TJ51
- CLH** Custom Length Housing (Factory cut)
 - Horizontal Single CLH50-3
 - Horizontal Double CLH52-4
 - Vertical Single CLH50-5
 - Vertical Double CLH52-6
- VLH** Variable Length Housing (Field Cut)
 - Horizontal Single VLH50-3
 - Horizontal Double VLH52-4
 - Vertical Single VLH50-5
 - Vertical Double VLH52-6
- Filler Plates** see chart, pg F32
- Angle Brackets** see chart, pg F32

* DSM/MBS/HDB option not available for 351+ models
 ** L1/L2 only available on DSM/MBS models, not available for TJ applications

3. Select Finish

- 628** US28 Satin Aluminum, Anodized (*standard*)
- 335** US19 Satin Black, Anodized
- 612B** US10 Satin Bronze
- 612SF** US10 Satin Bronze-SF
- 613SF** US10B Dark Satin Bronze, Anodized
- 628B** US28 Satin Aluminum, w/ Black
- 666B** US3 Bright Brass
- 666SF** US3 Bright Brass-SF
- 672B** US26 Bright Chrome
- 672SF** US26 Bright Chrome-SF

Armature housing finish standard Lexan black
B suffix – Satin black anodized 335/US19 housing with choice of select special finish for slide plates only
SF suffix – Special finish for all metal surfaces

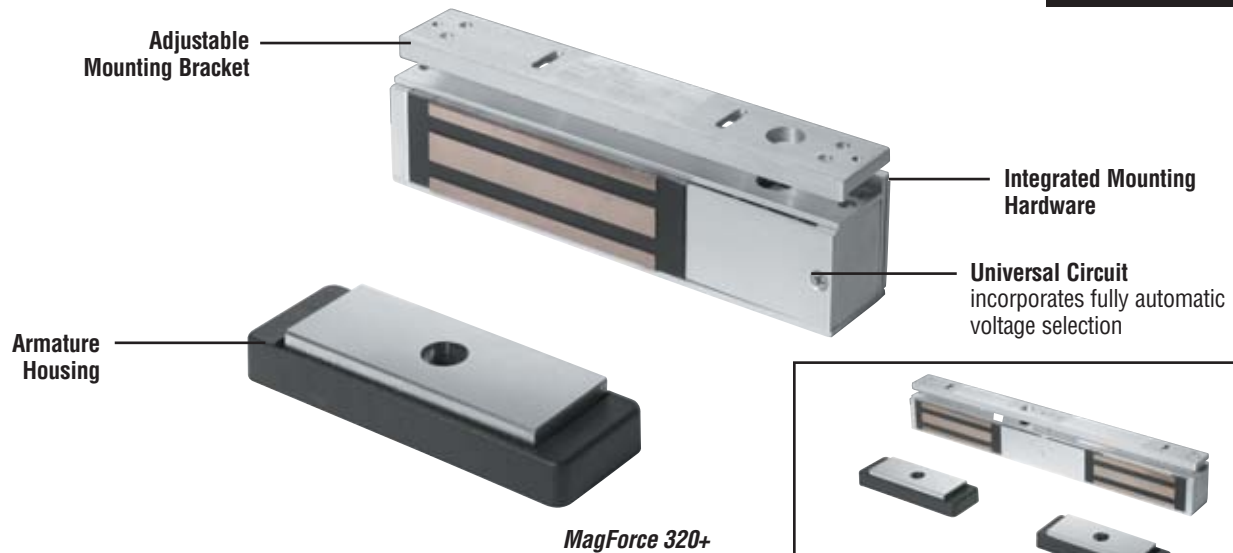
Specifications:

- 350+**
 - Holding Force:** 1200 lbs. per door leaf
 - Input Voltage:** 12/24 VDC
 - Current Draw:** .75A@12VDC
.38A@24VDC
 - Height:** 2¹/₈"
 - Length:** 12¹/₂"
 - Width:** 1¹¹/₁₆"
 - Weight:** 9.60 lbs
- 351+**
 - Holding Force:** 500 lbs. per door leaf
 - Input Voltage:** 12/24 VDC
 - Current Draw:** .75A@12VDC
.38A@24VDC
 - Height:** 2¹/₈"
 - Length:** 12¹/₂"
 - Width:** 1¹¹/₁₆"
 - Weight:** 9.60 lbs
- 352+**
 - Holding Force:** 1200 lbs. per door leaf
 - Input Voltage:** 12/24 VDC
 - Current Draw:** 1.5A@12VDC
.76A@24VDC
 - Height:** 2¹/₈"
 - Length:** 25"
 - Width:** 1¹¹/₁₆"
 - Weight:** 17.80 lbs

MagForce™ 320+ Series Electromagnetic Locks

The High Security Traffic Control Solution

MagForce™
LIFETIME WARRANTY



Now with Fully Automatic Voltage Selection

The 320+ surface mounted electromagnetic lock offers 700 for interior doors and general traffic control applications. Its modular design employs a standardized circuit board with easy to install connectors, adjustable mounting brackets, integrated mounting screws, and slide-in architectural finish plates. The armature housing holds the armature in place, eliminating the noise and sagging known with armatures and increasing the overall reliability of the product. The armature housing also provides an aesthetically pleasing look over traditional armature mountings, blending into the surrounding environment more easily. Finally the armature housing holds the magnet for the DSM option without having to mount an additional plate to the armature, ensuring quicker, more reliable installations.

The 320+ is available for single, inswinging or outswinging, hollow metal, aluminum, and wood doors and frames and glass doors. The 322+ is available for pairs of hollow metal, aluminum, and wood doors and frames and glass doors without a mullion. All models easily interface with electronic access control systems, automatic door operators and fire or other hazard sensing systems for egress and emergency egress.

The 320+ exceeds ANSI/BHMA A156.23 Grade 3 standards with 700 pounds of direct holding force and is UL listed as an auxiliary lock for a 3 hour fire rated opening.

Benefits of Using MagForce 320+

- Excellent choice for interior high security applications
- Fully Automatic Voltage Selection simplifies installation
- Modular design employs a standardized circuit board with easy to install connectors, adjustable mounting brackets, integrated mounting screws, and slide-in architectural finish plates
- The uniquely designed armature housing holds the armature in place, eliminating the noise and sagging possible with other armatures
- The armature housing increases the overall reliability of the product and provides an aesthetically pleasing look over traditional armature mountings, blending into the surrounding environment more easily
- The armature housing holds the magnet for the DSM option without having to mount an additional plate to the armature, ensuring quicker, more reliable installation



MagForce™ 320+ Series Electromagnetic Locks

The High Security Traffic Control Solution

How To Order MagForce 320+

320+ – RTD – TJ20 – 628

Select Model			
Select Options/Accessories			
Select Finish			

1. Select Model

320+	Traffic Control – Single Lock
322+	Traffic Control – Double Lock
320+ DSM/MBS	Single Lock with Door Status Monitor/ Magnetic Bond Sensor
322+ DSM2/MBS2	Double Lock with Door Status Monitor/ Magnetic Bond Sensor

2. Select Options/Accessories

RTD/RTD2	Relocking Time Delay
ATS/ATS2	Anti-tamper Switch
HDB	Herculite Door Bracket
	Single HDB20
	Double HDB22
L1/L2**	LED indicator
TJ	Top Jamb for inswing door
	Single TJ20
	Double TJ22
	Split N/A
CLH	Custom Length Housing (Factory cut)
	Horizontal Single CLH20-3
	Horizontal Double CLH22-4
	Vertical Single CLH20-5
	Vertical Double CLH22-6
VLH	Variable Length Housing (Field Cut)
	Horizontal Single VLH20-3
	Horizontal Double VLH22-4
	Vertical Single VLH20-5
	Vertical Double VLH22-6
Filler Plates	see chart, pg F32
Angle Brackets	see chart, pg F32

** L1/L2 only available on DSM/MBS models, not available for TJ applications

3. Select Finish

628	US28	Satin Aluminum, Anodized (<i>standard</i>)
335	US19	Satin Black, Anodized
612B	US10	Satin Bronze
612SF	US10	Satin Bronze-SF
613SF	US10B	Dark Satin Bronze, Anodized
628B	US28	Satin Aluminum, w/ Black
628W	US28	Satin Aluminum, w/ White
666B	US3	Bright Brass
666SF	US3	Bright Brass-SF
672B	US26	Bright Chrome
672SF	US26	Bright Chrome-SF

Armature housing finish standard Lexan black
B suffix – Satin black anodized 335/US19 housing with choice of select special finish for slide plates only
SF suffix – Special finish for all metal surfaces

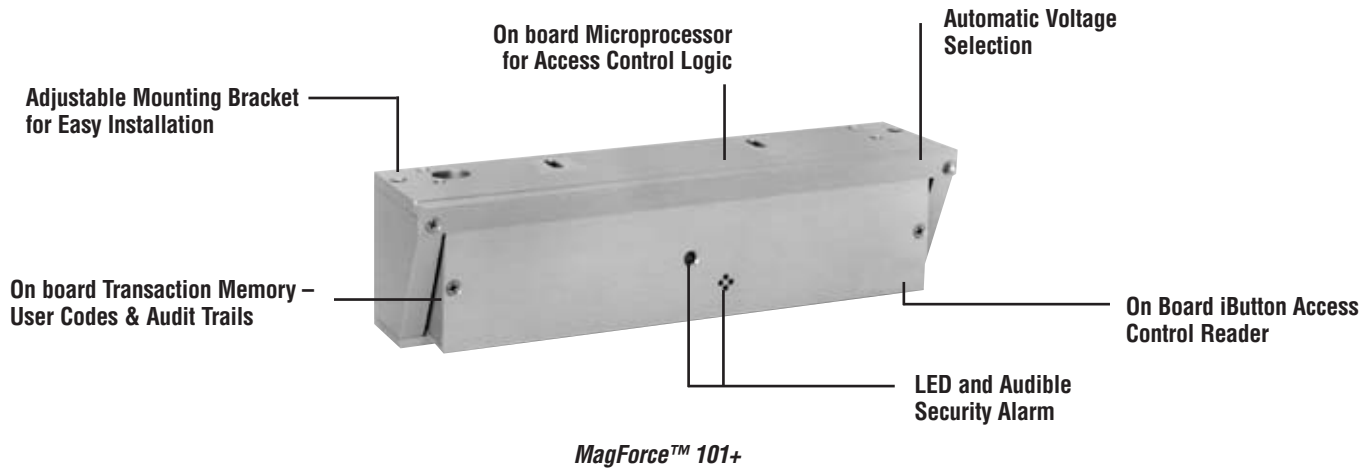
Specifications:

320+
Holding force: 700 lbs. per door leaf
Input Voltage: 12/24 VDC
Current Draw: .75A@12VDC
 .38A@24VDC
Height: 2¹/₈"
Length: 8⁹/₁₆"
Width: 1¹¹/₁₆"
Weight: 5.60 lbs

322+
Holding force: 700 lbs. per door leaf
Input Voltage: 12/24 VDC
Current Draw: 1.5A@12VDC
 .76A@24VDC
Height: 2¹/₈"
Length: 16³/₄"
Width: 1¹¹/₁₆"
Weight: 10.60 lbs

MagForce™ 101+ Delayed Egress “Rocking” Electromagnetic Locks

The Intelligent Solution



The 101+ series Delayed Egress Locking System is a self-contained unit, designed to meet NFPA Life Safety Code 101 and BOCA, while providing ongoing access controlled security. Locknetics delayed egress technology provides a cost effective solution to life safety and security applications previously

accomplished by several separate components. Because it operates independently of existing door hardware, the 101+ is ideal for retrofit applications. Many options are available to expand the performance of the 101+.

Benefits of Using 101+ Delayed Egress “Rocking”

- The 101+ features a patented “rocking magnet” which triggers a 15 or 30 second delay and audible signal
- iButton reader on board the lock housing to provide reset and legal release
- Two programmable iButton keys shipped with each lock
- Up to seven iButtons can be programmed at one time without a separate programmer
- Up to 150 keys can be programmed with a programmer
- The on board microprocessor provides an integrated locking and access control system which accepts iButton readers and KP Series keypads with interface cable
- Audit trail record standard



CSFM
MEA



MagForce™ 101+ Delayed Egress “Rocking” Electromagnetic Locks



The Intelligent Solution

How To Order 101+ Delayed Egress “Rocking”

101+ DSM/MBS/SEC/ATS/BOCA – HDB1 – 628 – KP78+ – EXCIP

Select Model				
Select Option				
Select Finish				
Select Accessories				
Select Computer Programming Accessories				

1. Select Model

- 101+ Single Lock
- 101-2+ Double Lock - Separate Housings
- 101+ DSM/MBS/SEC/ATS
- 101+ DSM/MBS/SEC/ATS/BOCA
- 101-2+ DSM2/MBS2/ATS2

2. Select Option

Single	Double	Description
HDB1	HDB2	Herculite Door Bracket

3. Select Finish

- 628 Satin Aluminum, Clear Anodized (*standard*)
- 313* Dark Satin Bronze, Anodized
- 335* Satin Black, Anodized
- 666* Bright Brass Plate
- 672* Bright Chrome, Plate

*Black Anodized Frame with Finished Cover Plate

4. Select Accessories

Keypads

- KP74+* Narrow, stainless steel, high traffic
- KP76+* Narrow, black Lexan housing, all-purpose
- KP78+* Narrow, black Lexan housing, all-purpose, available in special finishes

- KP79+* Single gang box mount, black Lexan, all-purpose, available in special finishes

iButton Readers

- TR80 Cast stainless steel includes 80CAB interface cable
- TR81 Cast stainless steel includes 80CAB interface cable
- TR83* All-purpose – black Lexan housing, Available in special finishes
- TR84* All-purpose – black Lexan housing, Available in special finishes

- IBA iButton with adhesive back
- IBF iButton with keyfob

* 100 CAB interface cable required for use with keypads, TR83 and TR84

5. Select Computer Programming Accessories

- EXCIP Computer Interface Pack – includes Windows based LockLink Express software, PC Cable and interface module
- IRPDA Computer Programming Kit with serial and USB cable. Cradle includes PDA device, installed with UpLink software, cable and interface module
- 100CAB Interface Cable for keypads, TR83 and TR84
- AUXCAB1 1 ft. Auxiliary Cable for use with 100CAB
- AUXCAB16 16 ft. Auxiliary Cable for use with 100CAB

Specifications:

- 101+
 - Holding Force: 1500 lbs.
 - Input Voltage: 12/24 VAC/VDC
 - Current Draw: .8@12VDC
 - .5A@24VDC
 - Height: 3¹/₃₂"
 - Length: 11¹/₂"
 - Width: 3³/₁₆"
 - Weight: 13.7 lbs

- 101-2+
 - Holding Force: 1500 lbs. per door leaf
 - Input Voltage: 12 VAC/VDC
 - Current Draw: .8@12VDC**
 - Height: 3¹/₃₂"
 - Length: 23"
 - Width: 3³/₁₆"
 - Weight: 27 lbs

** Double unit comes *standard* with power miser option
.4A @ 12 VDC only 1200lbs per leaf.

MagForce™ 390DEL Delayed Egress Locking System

The Intelligent Force Solution

MagForce™
LIFETIME WARRANTY



The 390DEL Series Delayed Egress Locking System is a self contained unit, designed to meet NFPA 101 Life Safety Code and BOCA, while providing ongoing access controlled security. This easy to install, cost effective solution provides the highest access security and safety.

The 390DEL delayed egress is triggered by an internal “plunger switch,” to initiate a 15 or 30 second delay and audible alarm before unlocking and can be triggered by external contacts such as an electrified exit bar or a Request to Exit device. The 390DEL

utilizes an on board iButton Reader to provide reset and legal release. Two iButton fobs are shipped with each lock. Up to seven iButton keys may be programmed without a programmer. Up to 150 users may be programmed with a keypad. Each lock includes an on board microprocessor that accepts all Locknetics iButton readers, keypads, or any other access control system which can provide a dry-contact closure.

Benefits of Using MagForce™ 390DEL

- Automatic Voltage Selection
- Low Voltage Alert
- Fire Alarm Terminals
- Legal Release Input
- Reset Input
- Internal Plunger Switch
- Auxiliary Input (For Delayed Egress Activation)
- Alarm Contacts
- On board iButton Reader
- Anti-tamper Switch
- On board Control Circuitry for iButton readers or keypads
- On board Tri-Color LED
- On board Audible Alarm
- Programmable Relock Delay
- Programmable Nuisance Delay
- Selectable Nuisance Delay Alert
- Selectable Delayed Egress Time
- Selectable Unlock Alarm



MagForce™ 390DEL Delayed Egress Locking System

The Intelligent Force Solution

How To Order MagForce™ 390DEL

390DEL – HDB90 – 612 – KP74+ + EXCIP

Select Model	
Select Options	
Select Finish	
Select Accessories	
Select Computer Programming Accessories	

1. Select Model

- 390DEL** Single Lock
- 390DEL-2** Double Unit – Separate Housing
- 390DEL-DSM/MBS/SEC**
- 390DEL-2/DSM2/MBS2/SEC2**
- 390DEL-DSM/MBS/SEC/ATS/BOCA**
- 390DEL-2/DSM2/MBS2/SEC2/ATS/BOCA**

2. Select Options

- HDB90 HDB92** Herculite Door Bracket

3. Select Finish

- 628** US28 Satin Aluminum, Anodized (*standard*)
- 628B** US28 Satin Aluminum w/ Black
- 335** US19 Satin Black, Anodized
- 612B** US10 Satin Bronze
- 612SF** US10 Satin Bronze-SF
- 672B** US26 Bright Chrome
- 672SF** US26 Bright Chrome-SF
- 666B** US3 Bright Brass
- 666SF** US3 Bright Brass-SF
- 613SF** US10B Dark Satin Bronze

Armature housing finish standard Lexan black
B suffix – Satin black anodized 335/US19 housing with choice of select special finish for slide plates only
SF suffix – Special finish for all metal surfaces

4. Select Accessories

Keypads and Accessories

- KP74+*** Narrow, stainless steel, high traffic
- KP76+*** Narrow, black Lexan housing, all-purpose
- KP78+*** Narrow, black Lexan housing, all-purpose, Available in special finishes
- KP79+*** Single gang box mount, black Lexan, all-purpose, Available in special finishes

4. Select Accessories (continued)

iButton Readers and Accessories

- TR80** Cast stainless steel includes 80CAB interface cable
- TR81** Cast stainless steel includes 80CAB interface cable
- TR83*** All-purpose – black Lexan housing, Available in special finishes
- TR84*** All-purpose – black Lexan housing, Available in special finishes
- IBA** iButton with adhesive back
- IBF** iButton with keyfob

*100 CAB interface cable required for use with keypads, TR83 and TR84

5. Select Computer Programming Accessories

- EXCIP** Computer Interface Pack
Includes Windows based LockLink, Express software, PC Cable and interface module
- IRPDA** Computer Programming Kit with serial and USB cable. Cradle includes PDA installed with UpLink software, cable and interface module
- 100CAB** Interface Cable for keypads, TR83 and TR84
- AUXCAB1** 1 ft. Auxiliary Cable for use with 100CAB
- AUXCAB16** 16 ft. Auxiliary Cable for use with 100CAB

Specifications:

390DEL

- Holding Force:** 1500 lbs.
- Input Voltage:** 12/24 VAC/VDC
- Current Draw:** .8@12VDC
.5@24VDC

- Height:** 2³/₄"
- Length:** 10¹/₂"
- Width:** 2¹/₂"
- Weight:** 12.5 lbs

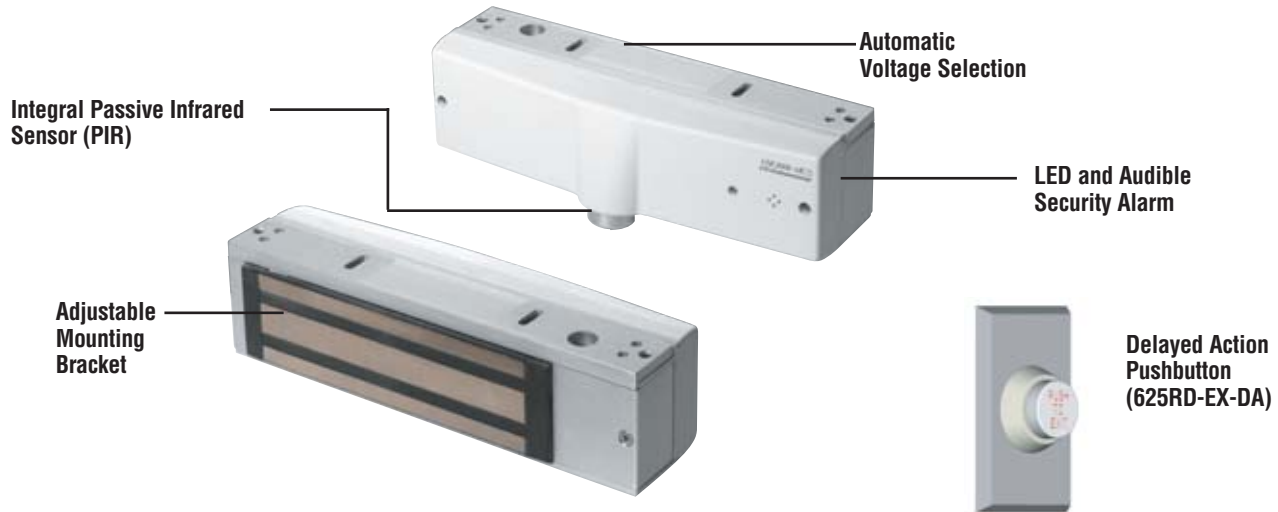
390DEL-2

- Holding Force:** 1500 lbs. per door leaf
- Input Voltage:** 12/24 VAC/VDC
- Current Draw:** .8@12VDC
.5@24VDC
- Height:** 2³/₄"
- Length:** 21"
- Width:** 2¹/₂"
- Weight:** 25 lbs

390PIR SensorLock™

The Intelligent Force Solution

MagForce™
LIFETIME WARRANTY



NFPA 101 Life Safety Code... Section 5-2.1.6.2 Access Controlled Egress Doors. Where permitted in Chapters 8 through 32, doors in the means of egress shall be permitted to be equipped with an approved entrance and egress access control system, provided that

(a) A sensor is provided on the egress side arranged to detect an occupant approaching the doors and the doors are arranged to unlock upon detection of approaching occupant or loss of power to the sensor; and

(b) Loss of power to that part of the access control system that locks the doors automatically unlocks the doors; and

(c) The doors are arranged to unlock from a manual release device located 40 in. (102 cm) to 48 in. (122 cm) vertically above the floor and within 5 ft (1.5 m) of the secured doors. The manual release device shall be readily accessible and clearly identified by a sign that reads: "PUSH TO EXIT". When operated, the manual release device shall result in direct interruption of power to the lock – independent of the access control system electronics – and the doors shall remain unlocked for at least 30 sec; and

(d) Activation of the building fire-protective signaling system, if provided, automatically unlocks the doors and the doors remain unlocked until the fire-protective signaling system has been manually reset; and

(e) Activation of the building automatic sprinkler or fire detection system, if provided, automatically unlocks the doors and the doors remain unlocked until the fire-protective signaling system has been manually reset.

Benefits of Using 390PIR SensorLock Series

- Locknetics' 390PIR SensorLock turnkey solution for securing an opening while providing free egress
- Meets NFPA 101 Life Safety Code section 5-2.1.6.2
- Includes an electromagnetic lock with integral Passive Infrared sensor controller and pushbutton
- Installation is quick and efficient resulting in reduced installation costs

CSFM
MEA

1650 lbs.
Holding Force





390PIR SensorLock™

The Intelligent Force Solution



How To Order MagForce™ 390PIR

390PIR – DSM – 335 – REX100

Select Model	
Select Options	
Select Finish	
Select Accessories	

1. Select Model

- 390PIR** SensorLock with Pushbutton
(625RD-EX- DA red mushroom button with "Push To Exit" contact lock)
- 390PIR - LPB** SensorLock less Pushbutton

2. Select Options

- ATS** Anti-tamper Switch
- DSM/MBS** Door Status Monitor/Magnetic Bond Sensor
- DSM** Door Status Monitor
- MBS** Magnetic Bond Sensor
- HDB90** Herculite Door Bracket

3. Select Finish

		Magnetic Housing	Lexan Cover and Armature Holder
628B	US28	Satin Aluminum	Black
335	US19	Satin Black	Black
628W	US28	Satin Aluminum	White (<i>standard</i>)

4. Select Accessories

- 593PI-12** Plug-in Transformer
- REX100** Request to Exit Module

Specifications:

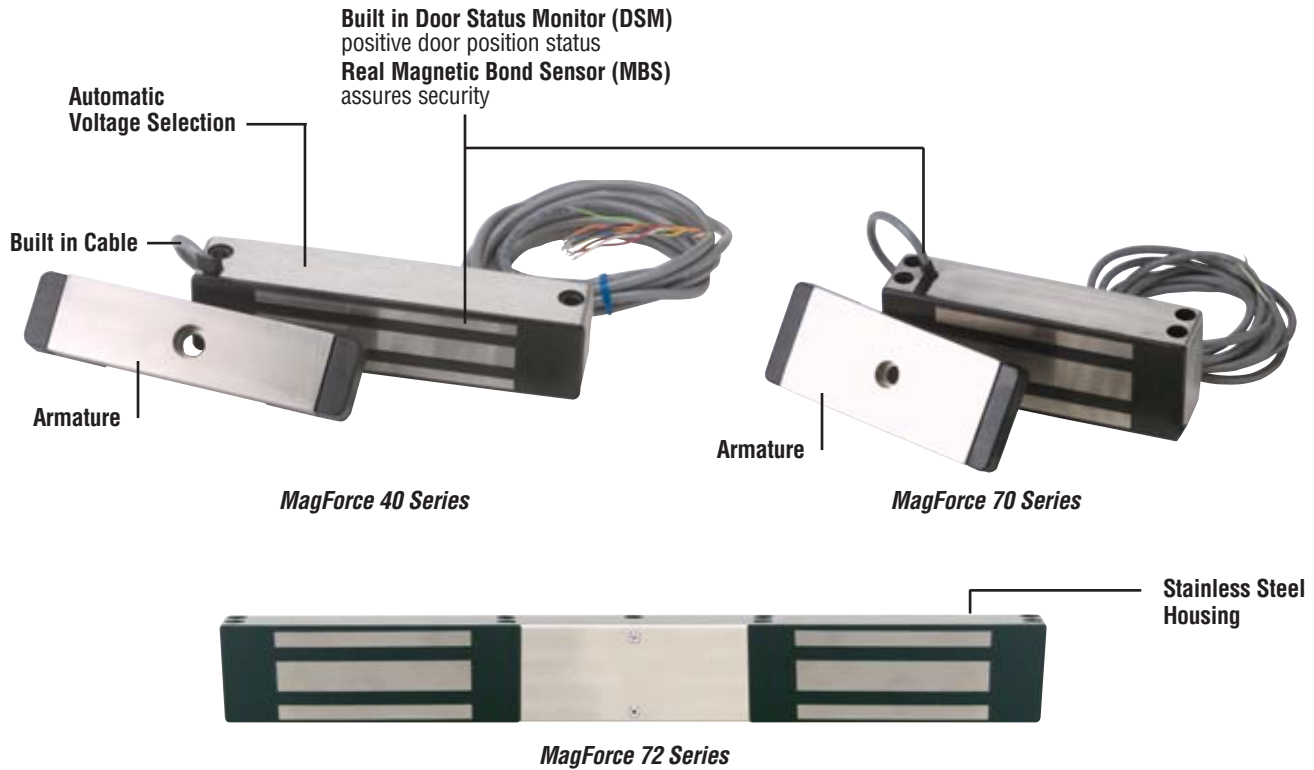
390DEL

- Holding Force:** 1650 lbs.
- Input Voltage:** 12/24 VAC/VDC
- Current Draw:** .8A@12VDC
.5A@24VDC
- Height:** 3¹/₁₆"
- Length:** 10¹/₂"
- Width:** 3¹⁵/₃₂"
- Weight:** 12 lbs

MagForce™ 40 and 70 Series Electromagnetic Locks

The Full Featured Solution

MagForce™
LIFETIME WARRANTY



Schlage Locknetics introduces the integrator's answer to retrofit needs for electromagnetics locks. These "Full Featured" electromagnetics locks are easy to stock, easy to select and easy to install. With common templating and standard features, the MagForce line for retrofit makes sense for virtually every application.

Benefits of Using 40 and 70 Series Electromagnetic Locks

- *Stainless steel housing - standard*
- *Low amp draw -*
 - 70 Series - .12A @ 24 VDC, 25A @ 12 VDC
 - 40 Series - .15A @ 24 VDC, 32A @ 12 VDC
- *Simplified armature installation*
- *Strong holding forces:*
 - 70 Series - 1200 lbs.
 - 40 Series - 600 lbs.
- *Universal Header Bracket (UHB)*
- *Double magnet available with 70 series*
- *UL 10C - 1 Hour Fire Rated*



MagForce™ 40 and 70 Series Electromagnetic Locks

The Full Featured Solution

How To Order MagForce 40 and 70 Series

70 - HDB70 - 335

Select Model	
Select Accessories	
Select Finish	

1. Select Model

40	Single Lock
70	Single Lock
72	Double Lock

2. Select Accessories

70 Series	40 Series	
HDB70	HDB40	Herculite Door Bracket
UHB		Universal Header Bracket
HEB		Header Extension Bracket
CWB70	CWB40	Concrete/Wood Bracket
ASB70	ASB40	Aluminum Spacer Brackets
DC70	DC40	Dress Cover
OSA		1/4" offset Armature Strike

3. Select Finish (accessories only)

628	US28	Satin Aluminum, Anodized (standard)
605	US3	Bright Brass (Dress Cover Only)
335	US19	Satin Black, Anodized

40 Dress Cover



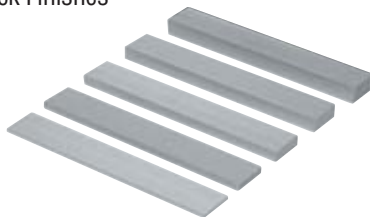
70 Dress Cover



Filler Plates

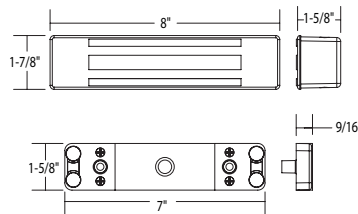
Filler Plates Available in 628 Satin Aluminum or 335 Satin Black Finishes

- 1-1/4" x 1/8"
- 1-1/4" x 1/4"
- 1-1/4" x 3/8"
- 1-1/4" x 1/2"
- 1-1/4" x 5/8"



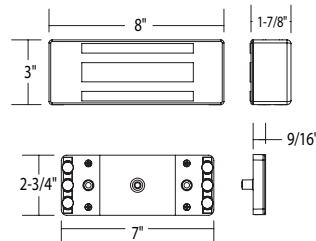
40 Specifications:

Holding Force: 600 lbs.
Input Voltage: 12/24 VDC
Current Draw: .32A@12VDC
 .15A@24VDC
Length: 8"
Height: 1 7/8"
Depth: 1 5/8"
Weight: 3.5lbs



70 Specifications:

Holding Force: 1200 lbs.
Input Voltage: 12/24 VDC
Current Draw: .25A@12VDC
 .12A@24VDC
Length: 8"
Height: 3"
Depth: 1 7/8"
Weight: 7.5lbs



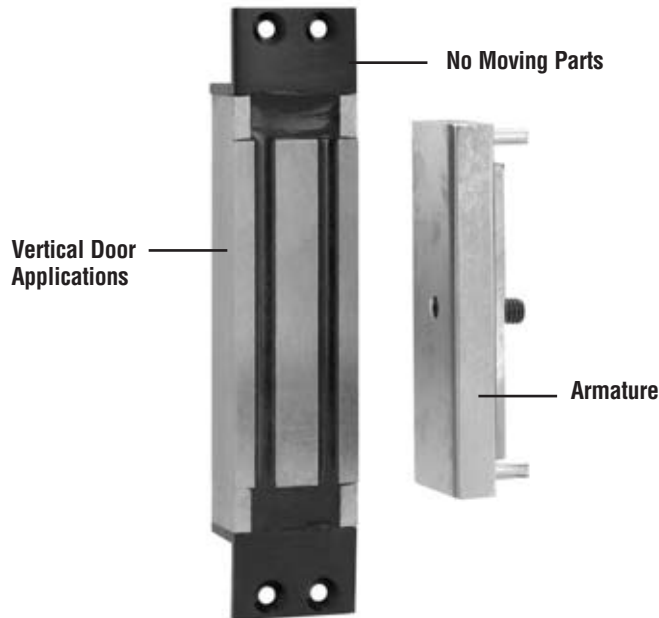
72 Specifications:

Holding Force: 1200 lbs.
 per door leaf
Input Voltage: 12/24 VDC
Current Draw: .50A@12VDC
 .25A@24VDC
Length: 22"
Height: 3"
Depth: 1 7/8"
Weight: 15lbs

320M Series MiniLine™ Electromagnetic Locks

Special Application Solution

MagForce™
LIFETIME WARRANTY



NOTE: Due to the higher ambient operating temperature of mortise wood framed application, it is **REQUIRED** that the 12V/0.225 AMP configuration be used.

Schlage Locknetics provides the industry's most complete selection of electromagnetic locks. The 320M Series MiniLine of speciality electromagnetic locks include the 320M mortise mounted system. The 320M Series is designed to interface with electronic access control systems, automatic door operators, and fire or hazard sensing systems, to provide egress upon detectable emergency. With no moving parts and a fail safe design, it offers an excellent solution for both security and life safety requirements when connected to the fire alarm circuit.

The 320M Series has been installed on thousands of worldwide installations including airports, hospitals, nursing homes, schools, universities, libraries, museums, retail and office buildings, laboratories, and government installations.

The 320M Series MiniLine is UL listed and engineered to meet the ANSI/BHMA standard for electromagnetic locks.

Benefits of Using 320 M Series

- Mortise mount for sliding doors
- Includes mounting tabs and armature mounting block
- Low maintenance - No moving parts
- Meets Security and Life Safety requirements
- Fields Selectable 12 or 24 VDC operation

500 to 650 lbs.
Holding Force



CSFM
MEA

320M Series MiniLine Electromagnetic Locks

Special Application Solution

How To Order 320 M Series

320M – DSM/MBS

Select Model
Select Options

1. Select Model

320M Mortise Mount - Sliding Doors
Includes lock mounting tabs.
12/24 VDC Single

2. Select Options

ATD Adjustable Time Delay
DSM Door Status Monitor
MBS Magnetic Bond Sensor
DSM/MBS Door Status Monitor/Magnetic Bond Sensor
RCP Rectifier (for use with AC)

Specifications:

Holding Force: 500 LBS @ 12VDC
650 LBS @ 24 VDC

Input Voltage: 12/24 VDC

Current Draw: .23A @ 24VDC
.45A @ 12VDC

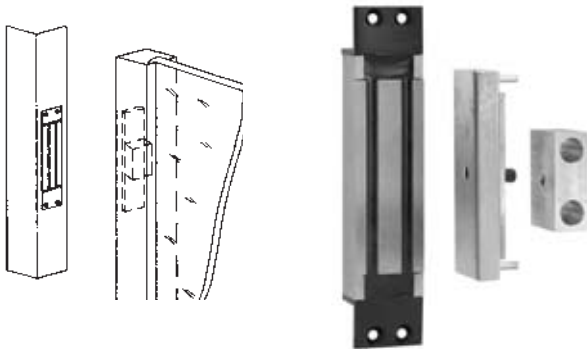
Wiring: Wire leads 12" long
MTG Type: Concealed

Lock Body

Length: 7"
Height: 1³/₈"
Depth: 1⁷/₈"

Armature

Length: 4¹/₄"
Height: 1¹/₂"
Depth: 5/8"



320M Series

For vertical mount in sliding door assemblies

390G+ Series Electromagnetic Gate Lock Special Application Lock Solution

MagForce™
LIFETIME WARRANTY

The 390G+ Gate Lock is a weather resistant electromagnetic lock with 1500 lbs. of holding force. It is designed for use on all types of sliding and swinging gates. As a high security magnetic lock it can accommodate misalignment problems while supplying superior holding force.

A 1/2" compression connector is provided for installation of 1/2" EMT conduit, insuring protection of hook-up wiring from weather and vandalism. Heavy duty plating resists corrosion of mating surfaces providing a low maintenance locking device.

A modified Top Jamb mounting bracket allows a single Model 390G+ to be mounted in a variety of positions. The 390G+ Gate Lock may be mounted to any gate frame or post. Special brackets may be required to adapt the lock to a particular frame or post. It is important that the lock is mounted so that the armature pulls straight back from the magnet face.

The 390G+ can be field configured for either 12 or 24 VDC operation. An optional lock status switch (MBS) and gate status switch (DSM) is available.

Benefits of Using 390G+ Series Gate Lock

- 1500 lbs. of direct holding force
- Field Selectable 12 or 24VDC operation
- Electroless nickel plated finish
- Universal mounting bracket
- 1/2" EMT compression fitting
- Two foot wire leads
- Built-in voltage spike suppressor
- Weather resistant for exterior use
- Accommodates gate misalignment
- No moving parts - low maintenance
- Includes universal mounting brackets

**1500 lbs.
Holding Force**

390G+ Series Electromagnetic Gate Lock

Special Application Lock Solution

How to Order 390+ Series Gate Lock

390G+ – DSM/MBS

Select Lock
Select Options

1. Select Model

390G+ Gate Lock

2. Select Options

DSM/MBS Door Status Monitor/Magnetic Band Sensor
DSM Door Status Monitor
MBS Magnetic Bond Sensor

Specifications:

Holding Force: 1500 lbs.
Input Voltage: 12/24 VDC
Current Draw: .67 A @ 12VDC
.34 A @ 24VDC

Lock Body:

Length: 9"
Height: 2 1/2"
Depth: 1 1/4"

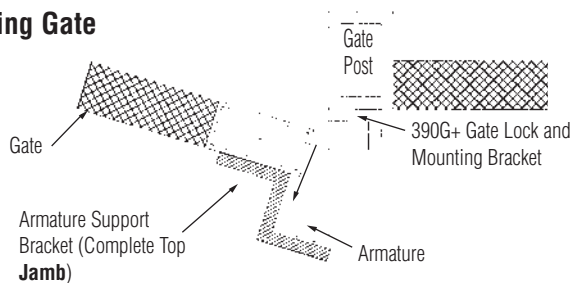
Armature:

Length: 7 3/8"
Height: 2 9/16"
Depth: 1 9/32"

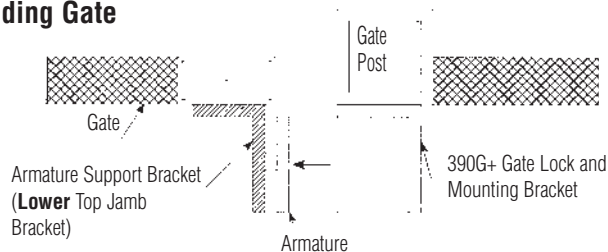
Conduit fitting 1/2" compression fitting for 1/2" EMT conduit mounting brackets

Mounting Concepts

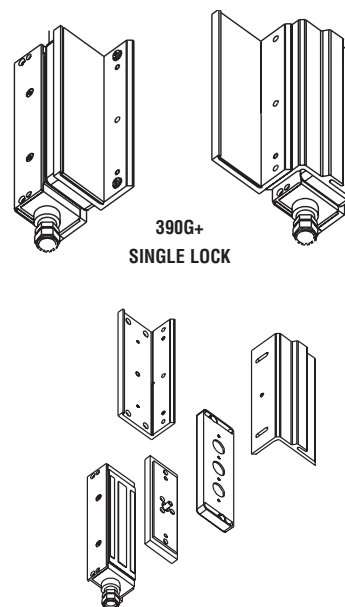
Swinging Gate



Sliding Gate

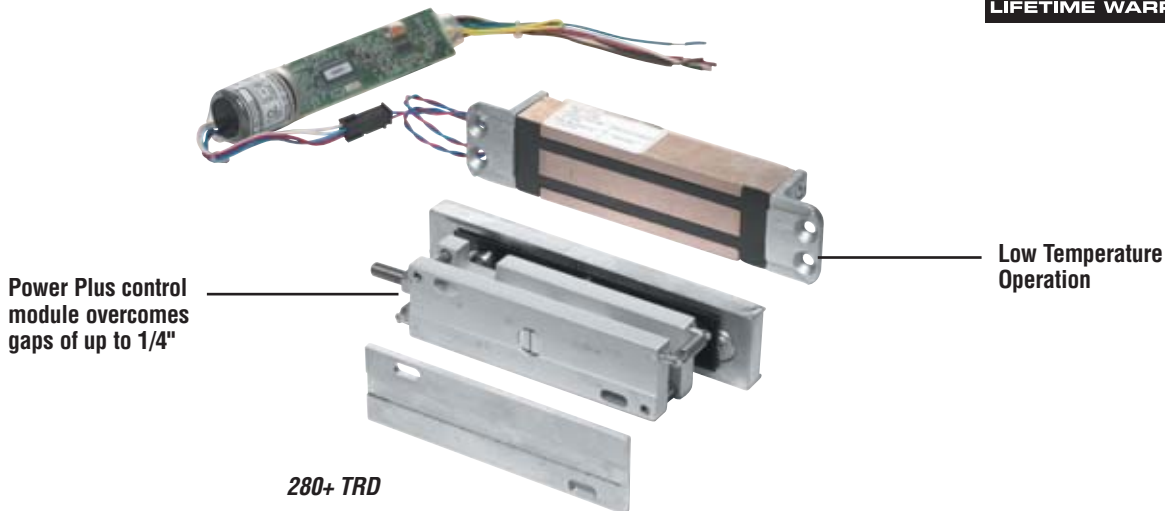


Mounting Brackets



280+ Mortise Mounted Series Shear Locks Special Application Solution

MagForce™
LIFETIME WARRANTY



Schlage Locknetics provides the industry's most complete selection of electromagnetic locks. The 280+ Series Shear Lock features a patented design which is smaller, stronger and easier to install than earlier generations of Shear Locks, even in retrofit applications. The 280+ Series mortise design electromagnetic Shear Lock has an innovative "Power Plus" control module to overcome gaps of up to 1/4".

This mortise Shear Lock offers the advantage of a totally concealed locking mechanism, which provides superior security and appearance. With holding forces tested to 2700 lbs., the Schlage Locknetics 280+ Series provides extra high security and easy engagement of magnet and armature. The armature literally "jumps" to the magnet resulting in a noticeably increased noise level. The patented design engages locking tabs, secured to the

magnet, with locking grooves in the armature. While the strength of this design is a major advantage, the flexibility in tolerance is even more important. This design allows for normal door and frame movement, assuming a good quality door and frame are used.

The compact size of the magnet fits into header construction with minimum preparation. It easily fits aluminum store front tube extrusions. The 280+ Shear Lock is ideal for hollow metal doors and frames.

The 280+ TRD model is available when armature adjustment is required from the edge of the door due to flush ceiling conditions.

The 280+ Series Shear Lock is UL 10C, CUL, and CSFM Listed and engineered to meet the ANSI/BHMA standard for electromagnetic locks.

Benefits of Using 280+ Mortise Mounted Series Shear Locks

- Innovative "Power Plus" control module provides force to overcome gaps of up to 1/4" between magnet and armature
- 2700 lbs. of holding force
- Requires filtered, regulated power supply
- External Automatic Relock Switch (ARS)
- Adjustable time delay on relock, 0-30 seconds
- Low temperature operation
- Microprocessor controlled
- Optional Magnetic Bond Sensor (MBS)
- Automatic voltage selection 12VDC/24VDC (Filtered)
- Universal hardware for installation into flush or recessed (1/8" to 2 1/2" depth) door edge
- Door position switch to prevent premature relock

**2700 lbs.
Holding Force**

**BHMA
CERTIFIED**



CSFM



280+ Mortise Mounted Series Shear Locks

Special Application Solution



How to Order 280+ Mortise Mounted Series

280+ – MBS – 679-05 WD

Select Model	
Select Option	
Select Accessories	

1. Select Model

280+ Standard Unit
280+TRD Top Rail Door

2. Select Options

MBS Magnetic Bond Sensor verifies proper armature contact with magnet face and detects reduced holding force – SPDT 1 amp @ 30 VDC

3. Select Accessories

DOOR STATUS SWITCHES – External, concealed door status monitor switches

679-05 For wood door and wood frame. SPDT 0.3 amp @ 30 VDC

679-05 HM For hollow metal door and frame. SPDT 0.3 amp @ 30 VDC

679-05 WD For wood door with hollow metal frame. SPDT 0.3 amp @ 30 VDC

Specifications:

Holding Force 2700 lbs.
Input 12/24 VDC
Current Draw .90A @ 12VDC
 .45A @ 24VDC

Wiring Leads - from control module
MTG Type Mortise

Dimensions*

	L	H	D
Lock Body	7"	1-1/4"	1-1/2"
with Mounting Tabs	8-9/16"	1-1/4"	1-1/2"
Armature	6-1/8"	1/2"	1-3/8"
Yoke	8-1/4"	1"	1-3/8"
Yoke with Mounting Tabs	9-13/16"	1"	1-3/8"

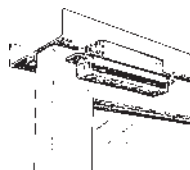
* In mortise applications, "H" refers to depth into the door or frame. "D" refers to the width of the part.

Mortise Shear Lock Applications

The 280+ Locks are designed for use with single doors, pairs of doors and double acting doors (that come to a true 0 degree stop). Custom applications include turnstile type doors.

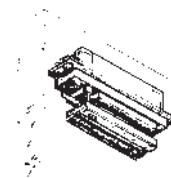
280+

For metal door and frame or glass door with top rail and metal frame. Magnet is mortised into frame header and armature is mortised into top edge of door. Universal hardware for installation into flush or recessed (1/8" to 2-1/2") depth door edge. Armature adjustment from top edge of the door. Magnet can also mount vertically into frame and armature into vertical edge of door, with armature adjustment from latch edge of door. The unit includes a low temperature module to facilitate wood door and frame applications.



280+ TRD

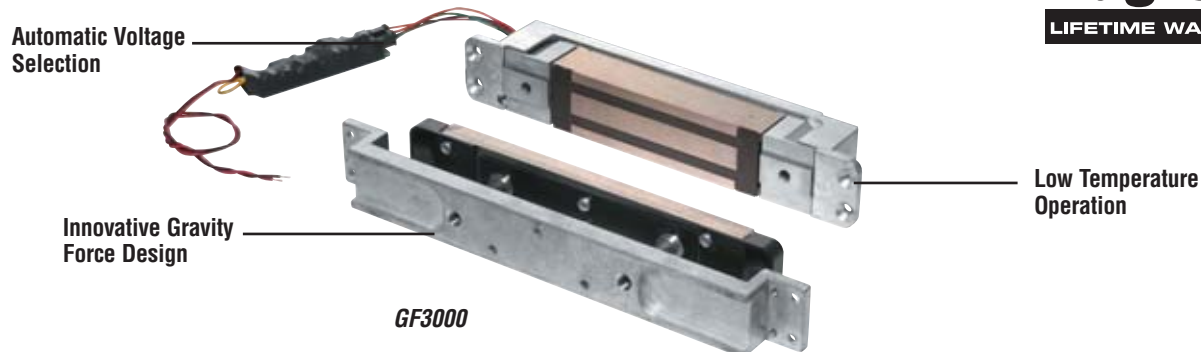
For metal door and frame or glass door with top rail and metal frame. Recommended for zero clearance condition between top of door and ceiling. Includes top rail door mounting assembly which provides armature adjustment from the latch edge of the door.



GF3000 Mortise Mounted Series Shear Locks

Special Application Solution

MagForce™
LIFETIME WARRANTY



Schlage Locknetics provides the most complete selection of electromagnetic locks in the industry. The GF3000 Series Shear Lock features a patented design offering advances over any Shear Lock on the market.

Unique mounting features provide a “floating” action of both the lock assembly and the armature. This design allows the magnet assembly to move towards the armature during the locking process. In this manner, the GF3000 is able to overcome gaps of up to 1/4 inch without current inrush. Once engaged, the Shear Lock provides 3000 pounds holding force, without high operating temperatures normally associated with other Shear Locks. A microprocessor-based control module provides advanced electronic features. This circuitry automatically senses and adjusts input voltage, allowing for operation from 12 to 24 volt DC power sources.

The mortise Shear Lock offers the advantage of a totally concealed locking mechanism, providing superior security and appearance. The patented design incorporates locking “tabs” on the magnet assembly with mating grooves in the armature plate. While the strength afforded by this design is a major advantage, the flexible mounting features are as important. This design allows for normal door and frame movement.

The Shear Lock is ideally suited for commercial grade quality hollow metal doors and frames as well as herculite doors with top rail. Advances in design provide low operating temperatures, making this Shear Lock suitable for use in the growing demand for concealed locks in wood frames.

The GF3000 TRD Model is available when armature adjustment is required from the edge of the door due to flush ceiling conditions. The GF3000BRD model is available when no top rail mounting is available.

All models offer built-in automatic relock features ensuring full door closure before lock engagement. Relock time delay is easily adjusted from 1 to 30 seconds from the face of the installed lock. Optional features include Magnetic Bond Sensor (MBS) to monitor the secure/not secure condition of the lock and an optional Door Status Monitor (DSM) to sense the open/closed position of the door.

The GF3000 Series of Shear Locks are UL 10C, CUL, CSFM and MEA listed for use on fire labeled openings. The locks are engineered to meet ANSI/BHMA A156.23 standard for electromagnetic locks.

Benefits of Using GF3000 Mortise Mounted Series Shear Locks

- Automatic voltage selection 12/24 VDC (Filtered)
- Innovative gravity force design provides for movement of both lock and armature to overcome gaps of up to 1/4”
- 3000 lbs. of holding force
- Requires filtered, regulated power supply
- Built-in Automatic Relock Switch
- Adjustable time delay on relock, 0-30 seconds
- Low temperature operation
- Microprocessor controlled
- Optional Magnetic Bond Sensor (MBS)
- Optional Door Status Monitor (DSM)



GF3000 Mortise Mounted Series Shear Locks

Special Application Solution



How to Order GF3000 Mortise Mount Series

GF3000TRD – DSM/MBS

Select Model	
Select Option	

1. Select Model

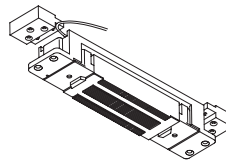
- GF3000** Adjustable from top edge of door.
- GF3000TRD** Mounting assembly which provides armature adjustable from the latch edge of the door. Recommended with zero clearance condition between top of door and ceiling.
- GF3000BRD** Mounting assembly to mortise armature into bottom rail of door. Magnet is installed in floor/threshold. Provides solution when no top rail is available.

2. Select Options

- DSM/MBS** Door Status Monitor/Magnetic Bond Sensor
- DSM** Door Status Monitor
- MBS** Magnetic Bond Sensor

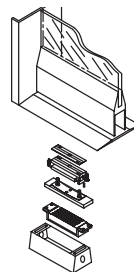
GF3000

For metal door and frame or glass door with top rail and metal frame. Magnet is mortised into frame header and armature is mortised into top edge of door. Universal hardware for installation into flush or recessed (1/8" to 2-1/2") depth door edge. Armature adjustment from top edge of the door. Magnet can also mount vertically into frame and armature into vertical edge of door, with armature adjustment from latch edge of door. The unit includes a low temperature module to facilitate wood door and frame applications.



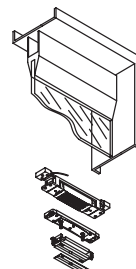
GF3000BRD

For metal door and frame or glass door with bottom rail and metal frame. The magnet is installed in the floor/threshold and the armature is installed in the bottom edge of the door. This application provides a solution when no top rail mounting is available. Recommended mounting electronic module remote from locking mechanism.



GF3000TRD

For metal door and frame or glass door with top rail and metal frame. Recommended for zero clearance condition between top of door and ceiling. Includes top rail door mounting assembly which provides armature adjustment from the latch edge of the door.



Specifications:

- Holding Force:** 2700-3000 lbs.
- Current Draw:** 0.90 Amp @ 12VDC
0.45 Amp @ 24VDC
- Weight:** 7 lbs.
- Lock Body:**
- Length:** 9 1/2"
- Height:** 1 1/2"
- Depth:** 1 1/2"

w/ Mounting Tabs:

- Length:** 11 9/16"
- Height:** 1 1/2"
- Depth:** 1 1/2"

Armature:

- Length:** 8 3/8"
- Height:** 1 3/8"
- Depth:** 1/2"

Armature Bracket:

- Length:** 10 5/8"
- Height:** 1 3/8"
- Depth:** 1"

GF3000 Surface Mounted Series Shear Locks

Special Application Solution

MagForce™
LIFETIME WARRANTY



Schlage Locknetics provides the most complete selection of electromagnetic locks in the industry. The GF3000 Series Shear Lock features a patented design offering advances over any Shear Lock on the market.

Unique mounting features provide a “floating” action of both the lock assembly and the armature. This design allows the magnet assembly to move towards the armature during the locking process. In this manner, the GF3000 is able to overcome gaps of up to 1/4 inch without voltage or current inrush. Once engaged, the Shear Lock provides 3000 pounds holding force, without high operating temperatures normally associated with other Shear Locks. A microprocessor-based control module provides advanced electronic features. This circuitry automatically senses and adjusts input voltage, allowing for operation from 12 to 24 volt DC power sources.

The surface Shear Lock offers the advantage of a totally concealed locking mechanism, providing superior security and appearance. The patented design incorporates locking “tabs” on the magnet assembly with mating grooves in the armature plate. While the strength afforded by this design is a major advantage, the flexible mounting features are as important. This design allows for normal door and frame movement.

This Surface Shear Lock offers maximum versatility in application. The GF3000SM model provides a low profile,

surface mount lock for outswinging doors. The GF3000TJ model provides a low profile, surface mount lock for inswinging doors. It provides a unique mounting solution with no brackets needed, which are standard with direct pull magnets. The GF3000SC model provides a semi-concealed variation, with the magnet mortised into the frame and the armature surface mounted on the door. The GF3000SC-HD model is also semi-concealed and includes a Herculite door bracket to mount the armature housing on a glass door with no top rail.

The GF3000SM and TJ models feature a black anodized housing with the choice of modular finish plates (see finish selection on How to Order page).

All models offer built-in automatic relock features ensuring full door closure before lock engagement. Relock time delay is easily adjusted from 0 to 30 seconds from the face of the installed lock. Optional features include Magnetic Bond Sensor (MBS) to monitor the secure/not secure condition of the lock and an optional Door Status Monitor (DSM) to sense the open/closed position of the door.

The GF3000 Series of Shear Locks are UL 10C, CUL, CSFM, and MEA Listed for use on fire labeled openings. The locks are engineered to meet ANSI/BHMA A156.23 standard for electromagnetic locks.

Benefits of Using GF3000 Surface Mounted Series Shear Locks

- Built-in Automatic Relock Switch
- Innovative Gravity Force design provides for movement of both lock and armature to overcome gaps of up to 1/4"
- 3000 lbs. of holding force
- Automatic Voltage Selection 12/24 VDC (filtered)
- Standard time delay on relock, adjustable 0-30 seconds
- Low temperature operation
- Microprocessor controlled
- Optional Magnetic Bond Sensor (MBS)
- Optional Door Status Monitor (DSM)
- Modular, slide-in in finish plates on SM and TJ models

GF3000 Surface Mounted Series Shear Locks

Special Application Solution



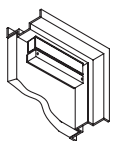
How to Order GF3000 Surface Mount Series

GF3000SM – DSM/MBS – 628

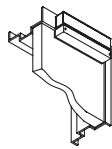
Select Model
 Select Option
 Select Finish

1. Select Model

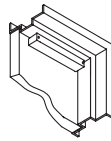
- GF3000SM** Standard Unit (outswinging doors)
Adjustable from top edge of armature. Available in special finishes.
- GF3000TJ** Top Jamb Unit (inswinging doors)
Magnet mounts on inside top jamb. Adjustable from top edge of armature. Available in special finish.
- GF3000SC** Semi - Concealed Unit (outswinging doors)
Magnet is concealed in the frame and the armature assembly is surface mounted.
- GF3000SC-HD** Semi - Concealed Unit (outswinging doors) Not Available in special finishes
Magnet is concealed in the frame and the armature assembly is surface mounted to a glass door.



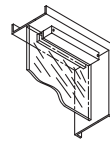
GF3000SM



GF3000TJ



GF3000SC



GF3000SC-HD

2. Select Options

- DSM/MBS** Door Status Monitor/Magnetic Bond Sensor
- DSM** Door Status Monitor
- MBS** Magnetic Bond Sensor

Specifications:

- Holding Force:** 3000 lbs.
- Current Draw:** .90 Amp @ 12VDC
.45 Amp @ 24VDC
- Weight:** 8.5 lbs. (SM, TJ suffix)
11.5 lbs. (SC, SC-HD suffix)

3. Select Finish (for GF3000SM & GF3000TJ only)

- 628** US28 Satin Aluminum, Anodized (**standard**)
- 335** US19 Satin Black, Anodized
- 613** US10B Dark Satin Bronze, Anodized
- 626** US26D Satin Chrome
- 606** US4 Satin Brass
- 630** US32D Satin Stainless Steel
- 612** US10 Satin Bronze
- 625** US26 Bright Chrome
- 605** US3 Bright Br lbs.

Lock Housing SM-TJ:

- Length:** 9¹³/₁₆"
- Height:** 1⁷/₈"
- Depth:** 2"

Lock Body SC/SC-HD:

- Length:** 9¹/₂"
- Height:** 1¹/₂"
- Depth:** 1¹/₂"

Armature Housing:

- Length:** 9¹³/₁₆"
- Height:** 1¹/₄"
- Depth:** 2"

Finishes available for GF3000SM and GF3000TJ Series only: Housing finished in Satin Black Anodized Finish - 335. Architectural Finish Plate furnished **standard** in Satin Aluminum, clear anodized.

GF3000 Surface Mounted Series Shear Locks Special Application Solution

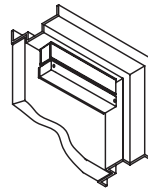


Surface Shear Lock Applications

The GF3000 Series Surface Shear Locks are designed for use with single or pairs of doors, inswinging or outswinging. A unique inswing model eliminates brackets, standard with direct pull electromagnetic locks.

GF3000 SM

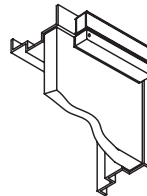
For metal door and frame, glass door with top rail and metal frame, or wood door and frame. For outswinging door applications. Armature adjustment from top edge of the armature.



GF3000SM (outswinging)

GF3000 TJ

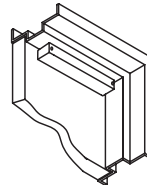
For metal door and frame, glass door with top rail and metal frame, or wood door and frame. For inswinging door applications. Unique design eliminates brackets with top jamb application. Armature adjustment from top edge of the armature.



GF3000TJ (inswinging)

GF3000 SC

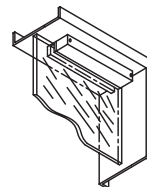
Semi-concealed model. Magnet is concealed in the frame and the armature assembly is surface mounted on the door. For metal door and frame, glass door with top rail and metal frame, or wood door and metal frame. For outswinging door applications. Unique design when mortise top rail application is not available. Armature adjustment from top edge of the armature.



GF3000SC (outswinging)
Semi-concealed

GF3000 SC-HD

Semi-concealed model with Herculite door bracket. Magnet is concealed in the frame and the armature assembly is surface mounted on the door with a Herculite door bracket. This U-shaped bracket is used on a glass door when no top rail is present. For outswinging door applications. Armature adjustment from top edge of the armature.



GF3000SC-HD (outswinging)
Semi-concealed with Herculite Door

Filler Plates

Electromagnetic Lock	320+	322+	350+/351+	352+
Length >	8-9/16"	16-3/4"	12-1/2"	25"
Width x Height	Plate No.	Plate No.	Plate No.	Plate No.
1-1/4" x 1/8"	3201F	3221F	3501F	3521F
1-1/4" x 1/4"	3202F	3222F	3502F	3522F
1-1/4" x 3/8"	3203F	3223F	3503F	3523F
1-1/4" x 1/2"	3204F	3224F	3504F	3524F
1-1/4" x 5/8"	3205F	3225F	3505F	3525F
3/4" x 1/2"	3206F	3226F	3506F	3526F
3/4" x 5/8"	3207F	3227F	3507F	3527F
3/4" x 3/4"	3208F	3228F	3508F	3528F

Electromagnetic Lock	390+/391+	392+	390G+
	390DEL/DEL-2, 390PIR		(corrosion resistant)
Length >	10-1/2"	20-5/8"	9"
Width x Height	Plate No.	Plate No.	Plate No.
1-1/4" x 1/8"	3901F	3921F	39G1F
1-1/4" x 1/4"	3902F	3922F	39G2F
1-1/4" x 3/8"	3903F	3923F	39G3F
1-1/4" x 1/2"	3904F	3924F	39G4F
1-1/4" x 5/8"	3905F	3925F	39G5F
1-1/4" x 3/4"	N/A	N/A	39G6F
3/4" x 1/2"	3906F	3926F	39G7F
3/4" x 5/8"	3907F	3927F	39G8F
3/4" x 3/4"	3908F	3928F	39G9F

ANGLE BRACKETS

Electromagnetic Lock	320+	322+	350+/351+	352+
Length >	8-9/16"	16-3/4"	12-1/2"	25"
Width x Height	Bracket No.	Bracket No.	Bracket No.	Bracket No.
1" x 1"	3201A	3221A	3501A	3521A
1-1/2" x 1"	3202A	3222A	3502A	3522A
1-1/2" x 1-1/2"	3203A	3223A	3503A	3523A
1-1/2" x 2"	3204A	3224A	3504A	3524A
1-1/2" x 2-1/2"	3205A	3225A	3505A	3525A

Electromagnetic Lock	390+/391+	392+	390G+
	390DEL/DEL-2, 390PIR		(corrosion resistant)
Length >	10-1/2"	20-5/8"	9"
Width x Height	Bracket No.	Bracket No.	Bracket No.
1" x 1"	3901A	3921A	39G1A
1-1/2" x 1"	3902A	3922A	39G2A
1-1/2" x 1-1/2"	3903A	3923A	39G3A
1-1/2" x 2"	3904A	3924A	39G4A
1-1/2" x 2-1/2"	3905A	3925A	39G5A

Note: Overall lengths are cut to the appropriate magnet size.